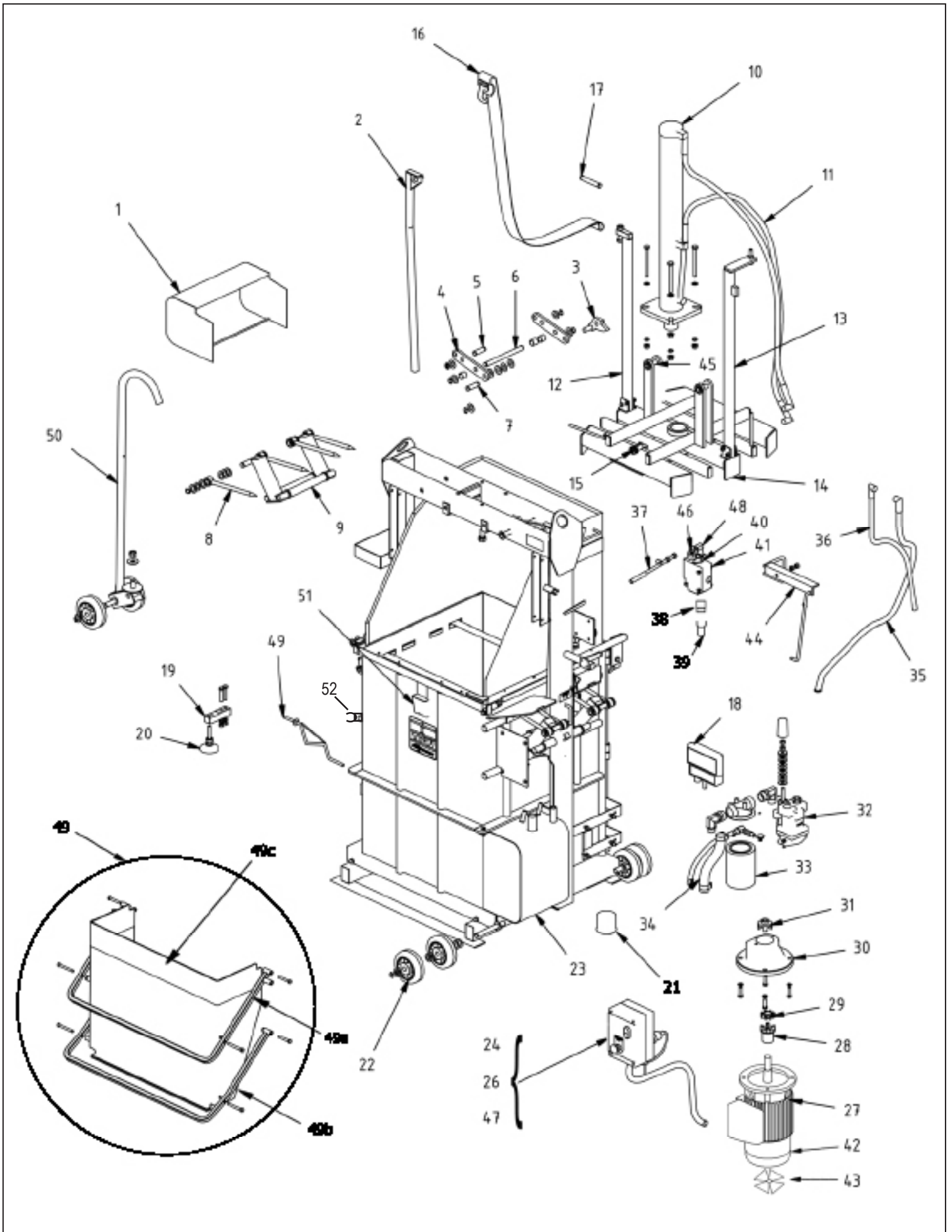


TPW AUSSIE XPRESS SPARES



POS	PART NO	TPW AUSSIE XPRESS SPARES
1	602-046	PINNING GUARD
2	602-049	PUSH ROD
2	602-049-B	PUSH ROD BOLT ON
3	602-058	PAWL
4	602-044	LINK (ROCKER ARM)
5&7	602-055	PAWL PIN
6	602-056	GOALPOST LINK PIN
8	602-009	BALING PIN
9	602-008	BELLCRANK ASSEMBLY (PER SIDE)
10	602-012	WOOLPRESS CYLINDER
11	602-040	CYLINDER HOSE
12	602-070	GUIDE ROD 50mm LH
13	602-039	GUIDE ROD 50mm RH
14	602-047	PRESSURE PLATE (PLATEN)
15	602-020	EJECTOR CATCH
16	602-068	BALE EJECTOR BELT
17	602-057	EJECTOR BELT PIN
18	601-000	FX 1 INDICATOR - ICONIX
19	601-241	WOOLPRESS LOAD CELL 750KG WITH PLUG
20	602-015	LOAD CELL FOOT
21	602-059	AIR BREATHER PA3412
22	602-002	WHEEL RUBBER ON ALLOY WITH BEARINGS
23	602-071	AXP TANK ASSEMBLY
24	602-050	START SWITCH SS
26	602-052	START SWITCH 480V
27	602-014	ELECTRIC MOTOR 2.2KW
28	602-024	COUPLING TECO (HALF)
29	602-026	COUPLING SPIDER (NACHI)
30	602-021	BELL HOUSING (TECO/NACHI)
31	602-023	COUPLING (NACHI)
	602-025	COUPLING (HONDA)
32	602-048	NACHI PUMP COMPLETE
	602-007	COMPASS PUMP COMPLETE
33	602-038	FILTER (TO SUIT NACHI)
34	602-042	SUCTION HOSE
35	602-043	RETURN HOSE
36	602-041	PUMP PRESSURE HOSE AXP
37	602-061	OILPATH CONTROL VALVE HANDLE
38	602-062	OILPATH DETENT
39	602-063	OILPATH DETENT COVER AND SPRING
40	602-064	OILPATH YOKE WITH PIN KIT (INCLUDES CAM)
41	602-060	OILPATH CONTROL VALVE
42	602-037	FAN COVER TECO
43	602-036	FAN BLADE TECO
44	602-067	TRIP LEVER
45	602-054	UNPINNING POST PIN
46	602-065	OILPATH RELIEF CARTRIDGE

POS	PART NO	TPW AUSSIE XPRESS SPARES
	602-014-08	DUAL START SWITCH 240/480V
47	602-053	START SWITCH 415V 3 PHASE
48	602-066	OILPATH O RINGS (PAIR)
49	602-901	SAFETY GUARD KIT TO SUIT AXP
49a	602-117	TOP GUARD ARM COMPLETE WITH PC
49b	602-118	BOTTOM GUARD ARM COMPLETE WITH PC
49c	602-027	KIWI / XPRESS YELLOW SAFETY GUARD
50	602-077	JOCKEY WHEEL
51	602-113	HOOK POCKET
52	602-084	JOCKEY WHEEL HOLDER NEW TYPE KIT
	602-073	POWER PACK E/START 6M HOSE
	602-903	SAFETY GUARD UPGRADE KIT TO SUIT AXP
	601-014-01	240V ICONIX READ OUT POWER SUPPLY
	602-115	CYLINDER GLAND KIT COMPLETE WITH SEALS (FOR S/N 12361 ONWARDS)
	606-001	SCALE UPDATE KIT